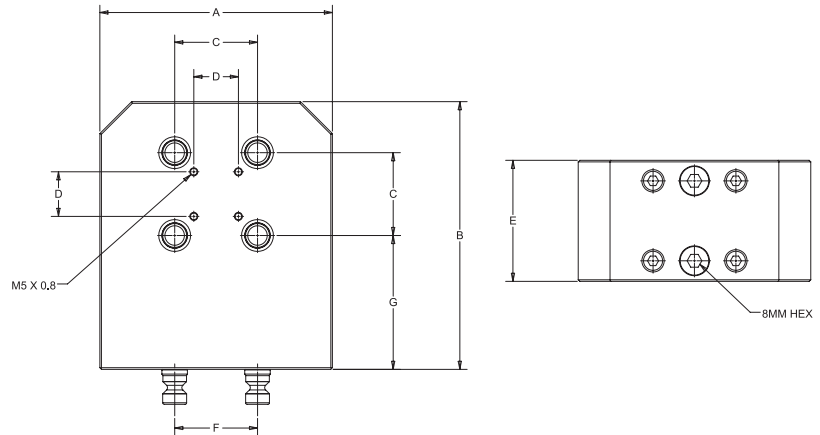
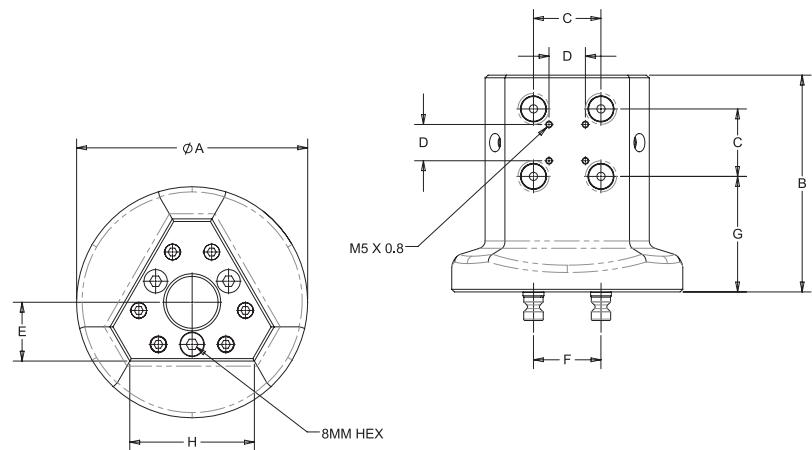


Twin Base



Part Number	A (mm)	B (mm)	C (mm)	D (mm)	E (mm)	F (mm)	G (mm)	Weight lbs (kg)	Max. Torque ft*lbs (Nm)	Pull Stud
QL-400200	144	168	52	28	76	52	84	29.62 (13.44)	22 (30)	QL-200800
QL-400205	190	247	96	28	116	96	110	91.63 (41.56)	22 (30)	QL-200805

Tri Cube



Part Number	A (mm)	B (mm)	C (mm)	D (mm)	E (mm)	F (mm)	G (mm)	H (mm)	Weight lbs (kg)	Max. Torque ft*lbs (Nm)	Pull Stud
QL-400300	178	167	52	28	45	52	89	96	27.58 (12.51)	22 (30)	QL-200800
QL-400305	247	247	96	28	77	96	110	157	99.32 (45.05)	22 (30)	QL-200805